



## SPECTATOR INFORMATION

Additional information available on the OSAA website, [www.osaa.org/activities](http://www.osaa.org/activities)

1. **EMERGENCY PLAN:** In the event of an emergency, natural disaster, fire, war, etc. that forces postponement or cancellation of an OSAA State Championship event, information will be posted to the home page of the OSAA website ([www.osaa.org](http://www.osaa.org)) and distributed to statewide media outlets.

2. **OSAA LIVE MOBILE APP:** [www.osaa.org/app](http://www.osaa.org/app)



The OSAA Live mobile app allows you to:

- Access OSAA Championship game and event day information – purchase tickets, shop official merchandise, and access championship programs.
- Follow your favorite teams
- Get updated schedules, scores, and rankings

Download the OSAA Live mobile app using the QR code above or find it in the App Store or in Google Play by searching for “OSAA Live”.

3. **TICKETS:** [www.osaa.org/shop/tickets](http://www.osaa.org/shop/tickets)

- A. **Ticket Prices:** *Student is any child age 5 & up through a senior in high school.*

Finals                      Adults – \$12                      Students – \$6

- B. Digital tickets may be purchased through [HomeTown Ticketing on the OSAA website, www.osaa.org/shop/tickets](http://www.osaa.org/shop/tickets), [through the OSAA Live Mobile App, or www.osaa.org/app](http://www.osaa.org/app).

Follow the OSAA on Facebook and Twitter for notification on when tickets are available.

- C. Gates open at 8am.

- D. **Bus Drivers:** *Schools are responsible for all bus driver admissions.* The OSAA does not provide passes for bus drivers.

- E. **Passes:** ONLY the OSAA Gold Card, OSAA VIP pass, OSAA Media pass, and OSAA Cross Country Media pass, which will admit the bearer only with photo ID, are to be honored at any OSAA State Championship event. No school, athletic district, official’s association, etc., passes are to be accepted.

4. **LODGING AND VISITOR INFORMATION:** Schools are to make their own arrangements for lodging.

- A. **Headquarter Hotel – Holiday Inn Express & Suites – Eugene:** [www.hiexpress.com/eugeneoregon](http://www.hiexpress.com/eugeneoregon)

Call 541.284.0256 for rate information.

- B. **Visitor Information:** [www.travellanecounty.org](http://www.travellanecounty.org)

Visit Travel Lane County online or call them at 800.547.5445 for more information about dining, shopping, lodging, and more while in Lane County.

5. **[RULE 3 – CONTESTS – SPORTSMANSHIP – CROWD CONTROL](#)** (OSAA Handbook, Rules) (See Attached)

6. **SERVICE ANIMALS:** Trained guide dogs and service animals assisting guests are welcome at OSAA State Championships. All other animals are prohibited. All service animals must remain on a leash or in a harness, and be in full control of the handler, at all times. Handlers are responsible for any damage or injuries caused by their animals, must properly dispose of waste in appropriate containers and must take appropriate precautions to prevent property damage or injury.

7. **LOST AND FOUND:** During the event, Lost & Found will be at the OSAA Event Office or other location designated by the host facility / OSAA Staff. For more information please contact [www.lanec.edu/copps/documents/lost-and-found](http://www.lanec.edu/copps/documents/lost-and-found) or 541.463.5588 for your items.

8. **RACE AND AWARDS SCHEDULE:** (Excerpt from OSAA 2023 Cross Country Plan)

10am..... 2A/1A Boys	12:50pm – 1:40pm BREAK
10:35am....3A/2A/1A Girls	1:45pm.....5A Girls
11:10am..... 3A Boys	2:20pm..... 5A Boys
Presentation of 3A/2A/1A Awards	Presentation of 5A Awards
11:45am..... 4A Girls	2:55pm.....6A Girls
12:20pm..... 4A Boys	3:30pm..... 6A Boys
Presentation of 4A Awards	Presentation of 6A Awards

**Note:** Individual medals will be presented to the top ten finishers at the conclusion of each race.

9. **AWARDS:** Team trophies will be presented according to the race schedule listed above. Individual medals will be presented to the top ten finishers immediately following each race.

- A. **Trophies** – Champion through fourth place trophies will be presented to the top teams in each race.
- B. **Medals** – Individual medals will be presented to the top 10 finishers of each race. Nine medals will be presented to both the champion and second place teams in each race.
- C. **Moda Health Athlete of the Meet** – The top finisher in each race will be recognized as that race’s Moda Health Athlete of the Meet. As part of the team awards and medals presentations, the Athlete of the Meet winners will be awarded a commemorative item from Moda Health and the OSAA.

10. **STATE CHAMPIONSHIP RESULTS:** [www.osaa.org/activities](http://www.osaa.org/activities)

Complete team and individual results will be posted immediately following each race on November 6. Please instruct your fans and local media to go there for results.

## **SOUVENIR INFORMATION**

*Additional souvenir information available on the OSAA website, [www.osaa.org/shop](http://www.osaa.org/shop)*

1. **STATE CHAMPIONSHIPS MERCHANDISE:** [www.osaastore.com/](http://www.osaastore.com/)

A. **Pre-Order:** [osaa.rushteamapparel.com/osaa/pre-orders](http://osaa.rushteamapparel.com/osaa/pre-orders)

RushTeamApparel, exclusive merchandise partner of the OSAA, offers pre-orders. **The pre-order window is Friday, 10/27 at 8am through Tuesday, 10/31 at 12:00am.** Select garments are available for pre-order: sweatshirts, t-shirts, long sleeve t-shirts, sweatpants, patches, pins, beanies and various Nike products. Merchandise will be available for pick up at the RushTeamApparel booth throughout the event.

- B. **Championship Site:** RushTeamApparel will be onsite at the OSAA state championship with a wide variety of souvenir merchandise. Stop by the merchandise booth to purchase t-shirts, sweatshirts, letterman patches, sweatpants, hats and much more. RushTeamApparel also offers a wide variety of customization options including school name, student-athlete name, event decals and more!
- C. **Official Letterman Patches:** Get your official OSAA State Championship letterman patch onsite or by ordering online. Forget to get one last year? You can order an official letterman patch for any year going back to 2014-2015 in any OSAA activity by ordering online.
- D. **RushTeamApparel Contact Information:** RushTeamApparel is the exclusive merchandise partner of the OSAA. For more information, contact RushTeamApparel at 1.253.858.5288 or via email at [orders@rushteamapparel.com](mailto:orders@rushteamapparel.com).

2. **NORTHWEST SPORTS PHOTOGRAPHY (NSP):** [4nsp.com/PhotosAction.aspx](http://4nsp.com/PhotosAction.aspx)

- A. **Action and Awards Photos:** NSP will shoot action photos during all races. Awards photos will be taken during each trophy presentation on Saturday. All action and award photos will be available online for purchase by Monday evening following the event.
- B. **Team Photos:** NSP will have a photographer available to shoot team photos on Saturday. All team photos will be available online for purchase by Monday evening following the event.
- C. **NSP Contact Information:** NSP is the official photographer of the OSAA. For more information, contact NSP at 800.446.5758 or via email at [customerservice@4nsp.com](mailto:customerservice@4nsp.com).

3. **OSAA DIGITAL CHAMPIONSHIP PROGRAMS:** [www.osaa.org/programs](http://www.osaa.org/programs)



The Official Cross Country State Championship program includes state championship brackets, rosters, season results, team photos, historical records and a color map of all OSAA member schools.

Programs are available on the OSAA Live mobile app and online. Download the *OSAA Live* mobile app from the App Store or Google Play by searching for “OSAA Live”.

4. **MINI REPLICA TROPHIES:** [www.osaa.org/shop#trophies](http://www.osaa.org/shop#trophies)

- A. **Mini Replica Trophies:** The OSAA is proud to be able to offer mini replicas of the trophies presented at the OSAA State Championships. Mini replica trophies are 8” tall x 10” wide x 5” deep and make a great gift for coaches, students, parents, etc. Mini replicas can be produced for teams and individuals for any year in any OSAA activity. Each mini replica trophy is \$70 and that includes a personalized nameplate, shipping & handling. Order mini replica trophies online.
- B. **Crown Trophy Contact Information:** Crown Trophy manages the mini replica trophy program. For more information, contact Crown Trophy at 503.626.1125 or via email at [awardpro@crowntrophy41.com](mailto:awardpro@crowntrophy41.com).

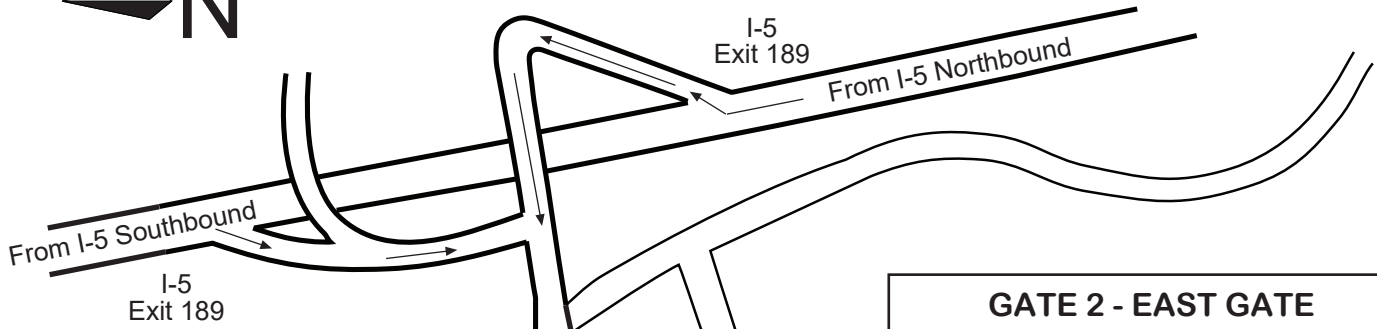
**The OSAA is Proud to Partner with the following organizations:**

1. **Abby’s Legendary Pizza:** [abbys.com](http://abbys.com)

With our large, open seating, Abby's is a winning choice for teams traveling throughout Oregon and central Washington. **Print out and bring this document in with your team of five or more athletes and we'll take 20% off your total order of food and drinks.** Dine-in only, please. Excludes any other discount or promotion. Participating locations. For a complete list of our locations nearest your next game, visit our website. Call ahead and we'll have your order ready!

2. **Settlemier’s Letterman Jackets:** [SettlemiersJackets.com](http://SettlemiersJackets.com)

Since 1990 Settlemier's Jackets has been making the finest Letterman Jackets for the Oregon high school community. For three generations this family business has been building varsity jackets using local materials and local labor, crafting high-quality jackets to tell the story of the Oregon athletes, activists and artists who have worked so hard to earn them. Settlemier's believes that *your* best deserves *the* best, without compromise. So look out for the Settlemier's Jackets booth next time you are at a championship event, or visit the website link above to rep your Oregon High School with the local pride that comes from owning a custom-made Settlemier's jacket!



OSAA / OnPoint Community Credit Union  
 Cross Country State Championships  
 Lane Community College  
 4000 E 30th Avenue, Eugene, OR 97405

## Directions

Northbound (from the south) on Interstate 5

Take Exit 189, and at the stop sign, turn left and continue west to the first intersection.

Go straight through the intersection and continue along 30th Avenue.

Turn left on Eldon Schafer Drive to access the east parking lots, or stay on 30th and take the first exit to the right after the intersection to access the west parking lots.

Southbound (from the north) on Interstate 5

Take Exit 189 and continue to traffic light.

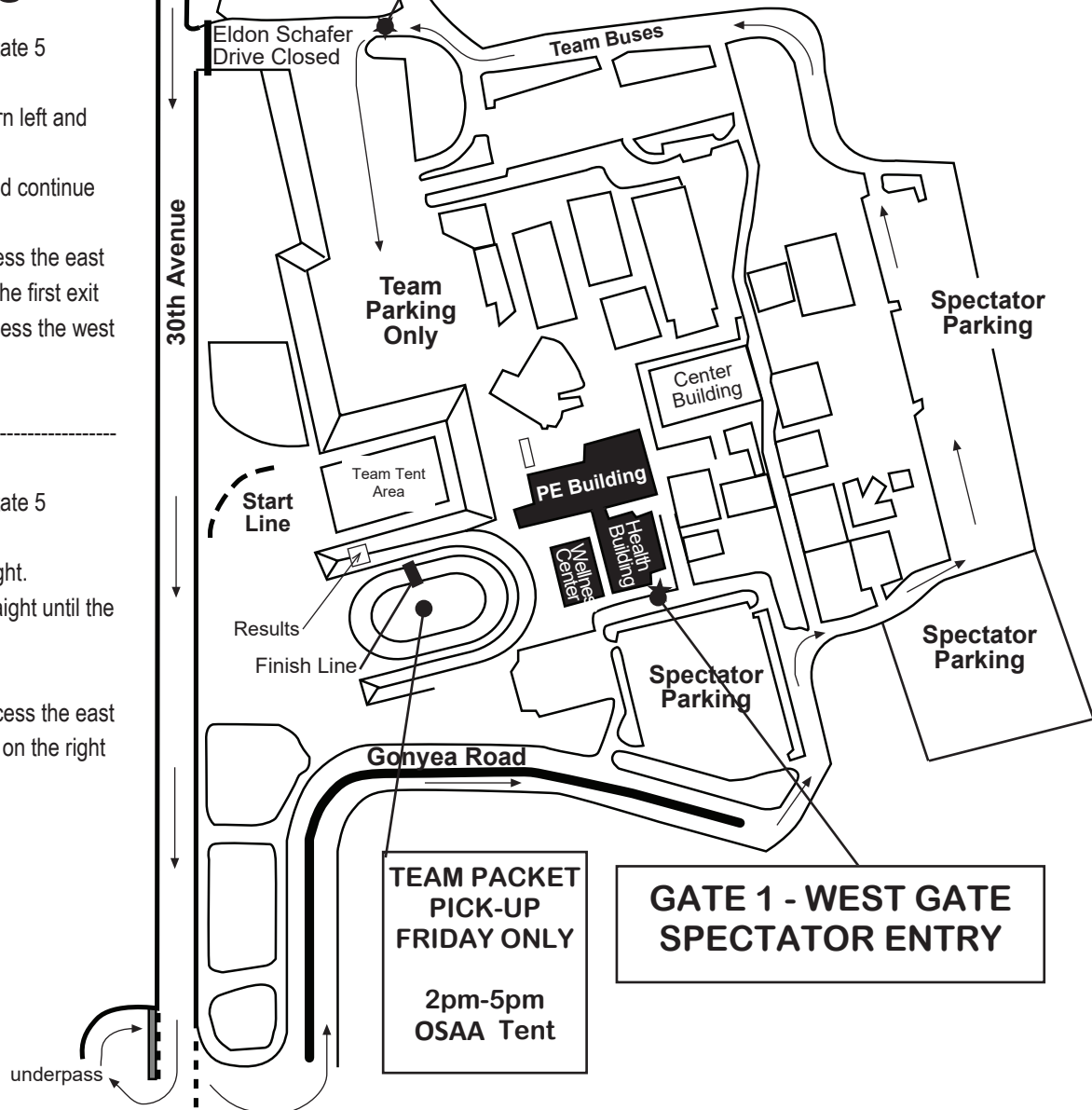
Turn right at the traffic light and go straight until the next intersection.

Turn right at the intersection.

Turn left on Eldon Schafer Drive to access the east parking lots or continue to the first exit on the right to access the west parking lots.

**GATE 2 - EAST GATE**  
 Team Packets -  
 Team Entry  
 (All team vehicles stop here)

Team Packet Pick-Up  
 Saturday 8am - 2pm

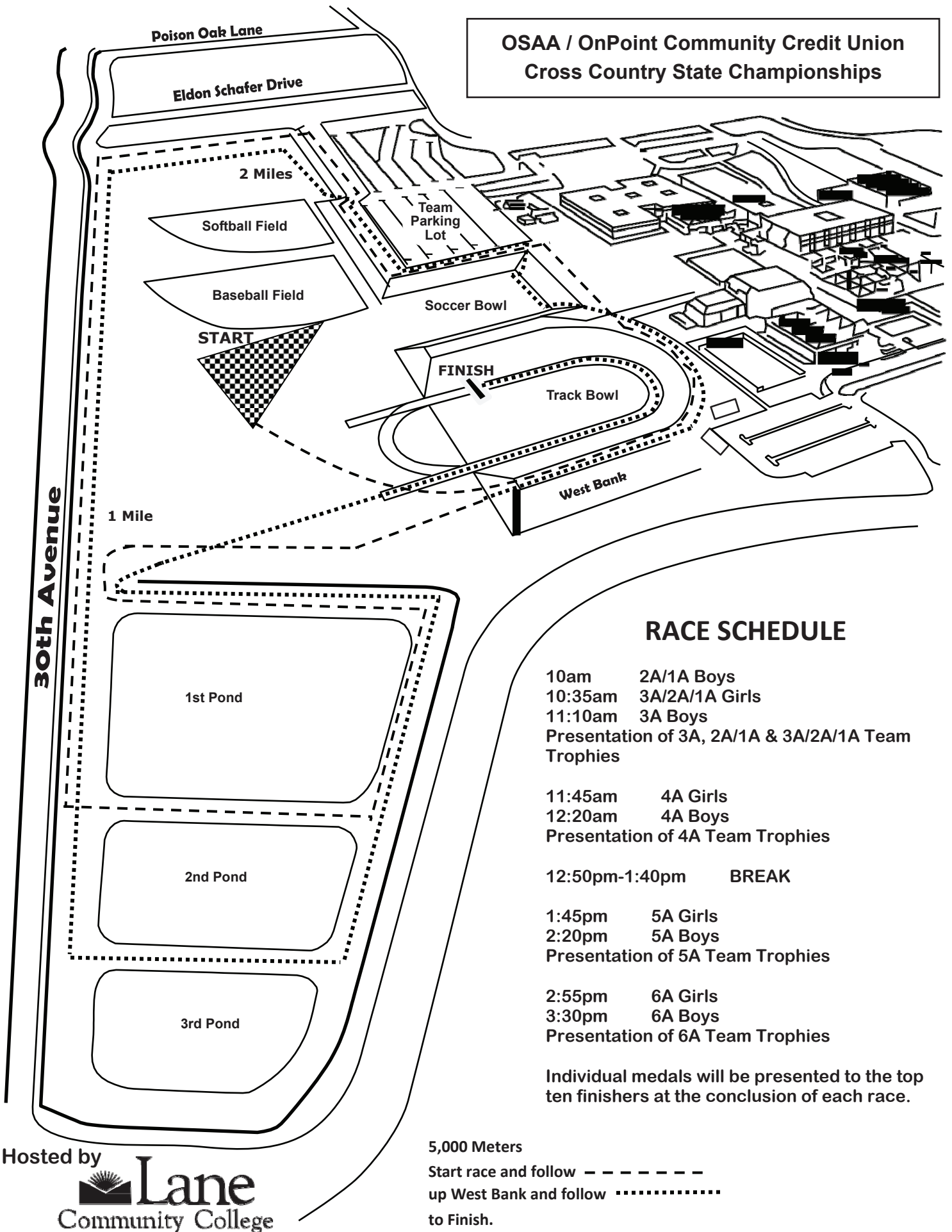


**TEAM PACKET PICK-UP**  
**FRIDAY ONLY**

2pm-5pm  
 OSAA Tent

**GATE 1 - WEST GATE**  
**SPECTATOR ENTRY**

**OSAA / OnPoint Community Credit Union  
Cross Country State Championships**



**RACE SCHEDULE**

- 10am 2A/1A Boys
- 10:35am 3A/2A/1A Girls
- 11:10am 3A Boys
- Presentation of 3A, 2A/1A & 3A/2A/1A Team Trophies
  
- 11:45am 4A Girls
- 12:20am 4A Boys
- Presentation of 4A Team Trophies
  
- 12:50pm-1:40pm BREAK
  
- 1:45pm 5A Girls
- 2:20pm 5A Boys
- Presentation of 5A Team Trophies
  
- 2:55pm 6A Girls
- 3:30pm 6A Boys
- Presentation of 6A Team Trophies

Individual medals will be presented to the top ten finishers at the conclusion of each race.

5,000 Meters

Start race and follow - - - - -  
up West Bank and follow .....  
to Finish.

Hosted by

