



ADMINISTRATIVE INFORMATION

Additional information available on the OSAA website, <http://www.osaa.org/activities>

1. **EMERGENCY PLAN:** In the event of an emergency, natural disaster, fire, war, etc. that forces postponement or cancellation of an OSAA State Championship event, information will be posted to the home page of the OSAA website (<http://www.osaa.org>) and distributed to statewide media outlets.

2. **NEW OSAA LIVE MOBILE APP:** <http://www.osaa.org/app>



The new OSAA Live mobile app allows you to:

- Access OSAA State Championship Programs
- Follow your favorite teams
- Get updated schedules, scores, and rankings

Download the OSAA Live mobile app using the QR code above or find it in the App Store or in Google Play by searching for "OSAA Live".

3. **ADMISSION:**

A. **General Admission Tickets:**

Student is any child age 5 & up through a senior in high school. Adults - \$8 Students - \$5

B. **GoFan Ticket Orders:** <http://www.osaa.org/shop/tickets>

The OSAA and GoFan are working together to bring digital ticketing to our State Championship events. Spectators will now be able to purchase their tickets online any time including the day of the event and truly skip the lines as they enter. GoFan Customer Service: service@gofan.co or 1.678.679.7676.

Cost Structure: ADULT Ticket: GoFan / \$8 + \$1.40 Convenience Fee per ticket; Finals Site Box Office / \$8
 STUDENT Ticket: GoFan / \$5 + \$1.25 Convenience Fee per ticket; Finals Site Box Office / \$5

C. **Finals Site:**

- 1) Gates open at 8am. GA / Student is any child age 5 & up through a senior in high school / Adults - \$8 Students - \$5
- 2) Will Call Window located at Gate 1 (West Gate).
- 3) No personal checks / No American Express Credit Cards.
- 4) VISA / MasterCard sales at Gate 1 (West Gate) only.

D. **Member School Discount Tickets:** Each school may purchase up to six discount tickets for \$6 each.

E. **Bus Drivers:** Schools are responsible for all bus driver admissions. The OSAA does not provide passes for bus drivers.

F. **Passes:** ONLY the OSAA Gold Card, OSAA VIP pass, OSAA Corporate Sponsor pass, OSAA Media pass, OSAA Cross Country Discount Ticket and OSAA Cross Country Media pass, which will admit the bearer only with photo ID, are to be honored at any OSAA State Championship event. No school, athletic district, officials association, etc., passes are to be accepted.

4. **EXPENSES:** <http://www.osaa.org/docs/forms/ReimbursementFormula.pdf>

Team expenses will be paid by check at the conclusion of the fall sports season according to the 2018-19 Reimbursement Formula.

5. **LODGING AND VISITOR INFORMATION:** Schools are to make their own arrangements for lodging.

A. **Headquarter Hotel – Holiday Inn Express – Eugene:** <http://www.hiexpress.com/eugeneoregon>

Contact Marlana Bickel at 541.284.0256 for rate information. Remember to mention that you are an OSAA school.

B. **Visitor Information:** <http://www.travellanecounty.org>

Visit Travel Lane County online or call them at 800.547.5445 for more information about dining, shopping, lodging, and more while in Lane County.

6. **SPECTATOR CONDUCT AT OSAA SANCTIONED EVENTS** (OSAA Handbook, Executive Board Policies) (Revised Winter 2015)

In addition to the general expectations included in the OSAA Constitution, Rule 3, that school officials...shall take all reasonable measures to ensure that the school's students and supporters maintain a sportsmanlike attitude toward all events... the following specific expectations regarding spectator conduct at all OSAA sanctioned events, including regular and post season competition, are provided:

- A. All cheers, comments and actions shall be in direct support of one's team. No cheers, comments or actions shall be directed at one's opponent or at contest officials. Some examples of inappropriate conduct or actions that are not permitted are: turning backs, holding up newspapers or jeering at cheerleaders during opposing team introductions; disrespecting players by name, number or position; negative cheers or chants; throwing objects on the floor.
 - B. Spectators are not permitted to have signs or banners (larger than 8 ½ by 11 inches), confetti, balloons or glass containers. Fathead type items are considered signs and shall not be larger than 8 ½ by 11 inches. Spectators are required to wear shirts.
 - C. Spectators are not permitted to have artificial noisemakers. Some examples of artificial noisemakers are Thunder Stix, cowbells, clappers and air horns.
 - D. Spectators shall not be permitted to use vulgar/offensive or racially/culturally insensitive language. Spectators shall not be permitted to engage in any racially / culturally insensitive action.
 - E. Spectators who fail to comply with Association or site management spectator conduct expectations may be expelled from the contest.
7. **SERVICE ANIMALS:** Trained guide dogs and service animals assisting guests are welcome at OSAA State Championships. All other animals are prohibited. All service animals must remain on a leash or in a harness, and be in full control of the handler, at all times. Handlers are responsible for any damage or injuries caused by their animals, must properly dispose of waste in appropriate containers and must take appropriate precautions to prevent property damage or injury.
8. **LOST AND FOUND:** During the event, Lost & Found will be at the OSAA Event Office or other location designated by the host facility / OSAA Staff. For more information please contact <https://www.lanec.edu/copps/documents/lost-and-found> or 541.463.5588 for your items.

COACH / TEAM INFORMATION

Additional information available on the OSAA website, <http://www.osaa.org/activities>

PRE-STATE CHAMPIONSHIPS

1. **CHAMPIONSHIP QUALIFICATIONS:** (Excerpt from OSAA 2018 Cross Country Plan)

Boys: <http://www.osaa.org/activities/bxc/qualifications> **Girls:** <http://www.osaa.org/activities/gxc/qualifications>

A. **6A Boys and Girls**

- 1) **Leagues/Districts** – The leagues/districts will be formed using the approved 2019-22 regular league alignments.
- 2) **Qualifiers** – The top three teams in each district meet plus any individual in the top **seven** not a member of a qualifying team. If all of the top **seven** individual qualifiers are members of qualifying teams, no additional individuals will qualify.
- 3) **Ties** – Any ties for final team or individual qualification spots shall be broken by the district prior to submitting the official state championship entry to the OSAA.

B. **5A Boys and Girls**

- 1) **Leagues/Districts** – The leagues/districts will be formed using the approved 2019-22 regular league alignments.
- 2) **Qualifiers** – A predetermined number of qualifiers (see below) in each district meet plus any individual in the top **five** not a member of a qualifying team. If all of the top **five** individual qualifiers are members of qualifying teams, no additional individuals will qualify.
 - a) **Northwest Oregon – top three teams**
 - b) **Midwestern – top four teams**

- c) *Mid-Willamette – top four teams*
 - d) *Intermountain – top two teams*
- 3) **Ties** – Any ties for final team or individual qualification spots shall be broken by the district prior to submitting the official state championship entry to the OSAA.
- C. 4A Boys and Girls
- 1) **Leagues/Districts** – The leagues/districts will be formed using the approved 2019-22 regular league alignments.
 - 2) **Qualifiers** – The top two teams in each district meet plus any individual in the top five not a member of a qualifying team. If all of the top five individual qualifiers are members of qualifying teams, no additional individuals will qualify.
 - 3) **Ties** – Any ties for final team or individual qualification spots shall be broken by the district prior to submitting the official state championship entry to the OSAA.
- D. 3A Boys
- 1) **Leagues/Districts** – *Schools will be placed in four Special Districts.*
 - 2) **Qualifiers** – *A predetermined number of qualifiers (see below) in each district meet plus any individual in the top five not a member of a qualifying team. If all of the top five individual qualifiers are members of qualifying teams, no additional individuals will qualify.*
 - a) *Special District-1 – top three teams*
 - b) *Special District-2 – top two teams*
 - c) *Special District-3 – top two teams*
 - d) *Special District-4 – top two teams*
 - 3) **Ties** – *Any ties for final team or individual qualification spots shall be broken by the district prior to submitting the official state championship entry to the OSAA.*
- E. 3A/2A/1A Girls
- 1) **Leagues/Districts** – Schools will be placed in **four** Special Districts.
 - 2) **Qualifiers** – A predetermined number of qualifiers (see below) in each district meet plus any individual in the top five not a member of a qualifying team. If all of the top five individual qualifiers are members of qualifying teams, no additional individuals will qualify.
 - a) *Special District-1 – top three teams*
 - b) *Special District-2 – top four teams*
 - c) *Special District-3 – top two teams*
 - d) *Special District-4 – top three teams*
 - 3) **Ties** – Any ties for final team or individual qualification spots shall be broken by the district prior to submitting the official state championship entry to the OSAA.
- F. 2A/1A Boys
- 1) **Leagues/Districts** – *Schools will be placed in four Special Districts.*
 - 2) **Qualifiers** – *A predetermined number of qualifiers (see below) in each district meet plus any individual in the top five not a member of a qualifying team. If all of the top five individual qualifiers are members of qualifying teams, no additional individuals will qualify.*
 - a) *Special District-1 – top two teams*
 - b) *Special District-2 – top four teams*
 - c) *Special District-3 – top two teams*
 - d) *Special District-4 – top two teams*
 - 3) **Ties** – *Any ties for final team or individual qualification spots shall be broken by the district prior to submitting the official state championship entry to the OSAA.*

2. **PRE – STATE CHAMPIONSHIP POSTING TIMELINE:** <http://www.osaa.org/activities>

- A. All entries will be posted on the website by **4pm on Sunday, October 28, 2018.**
- B. **District Meet Directors AND coaches** of qualifying teams and individuals are responsible for checking the accuracy of the entry information, including correct spelling.
- C. Checking your district's / school's entry information –
 - 1) Click on “2018 Entries” and your classification (i.e., 6A Boys, 6A Girls, etc.)
 - 2) **Check for correct spelling of participant’s name, year in school, school name and district meet place**, as this information **will appear the same way in the souvenir program** unless corrected.

3. **CORRECTIONS ONLY:**

- A. **SUNDAY**, October 28, 4pm to 8pm. Please call William Wyckoff at 541.484.9883.
- B. **MONDAY – FRIDAY**, please call Brad at the OSAA office, 503.682.6722 x229.

CORRECTIONS MADE AFTER 2pm ON MONDAY WILL NOT APPEAR IN THE PROGRAM.

4. **STATE CHAMPIONSHIPS – INDIVIDUAL SPORT SUBSTITUTIONS** (OSAA Handbook, Executive Board Policies)(Revised Winter 2015)

- A. The following shall be the policy for substitutions in individual sport State Championship events. All individuals who are substitutes for individual qualifiers must have participated in a District or Special District Meet.
- B. **Cross Country**
 - 1) **Individuals:** Substitutions for individual qualifiers not members of a qualifying team are not permitted.
 - 2) **Team:** Substitutions on qualified teams may be made up to 30 minutes prior to the start of the state championship race at that classification. A team may enter a maximum of seven participants with its top five finishers counting toward team standings.

Notification - Schools are required to notify the OSAA prior to the start of a state championship event if a student entered in the event will be unable to compete for any reason. Failure by a school to notify the OSAA prior to the start of a state championship event may result in a fine and/or other penalties being assessed to that school. **The district must notify the OSAA office, Brad Garrett, 503.682.6722 x229 or 503.860.7681.**

5. **WITHDRAWAL FROM STATE CHAMPIONSHIPS** (OSAA Handbook, Executive Board Policies) (Revised Fall 2008)

By entering participants in a state championship meet, contest or tournament, each member school certifies that, barring injury, illness or unforeseen events, or a withdrawal to avoid violating the religious convictions of team members, the team or individuals representing the school will participate in every game or competition, that is part of that championship event, until the final conclusion of the meet, contest or championship. Any withdrawal or intentional forfeiture for reasons other than those specified shall be considered a sportsmanship violation, and shall be subject to reprimand and/or other penalties as determined by the Executive Board. See **Executive Board Policies, “Withdrawal During a Competition”** for more information.

6. **CHUTE ASSIGNMENTS:** <http://www.osaa.org/activities>

Will be posted on the OSAA website by 4pm, Wednesday, October 31, 2018.

STATE CHAMPIONSHIPS

1. **ADMISSION:**

- A. **Participants’ Numbers:** Participants' numbers must be worn for admission.
- B. **Coaches Passes: MAXIMUM FOUR PER SCHOOL.** One coach's pass for schools with an individual qualifier, two coach’s passes for schools with a boys **or** girls team **OR** boy **and** girl individual qualifiers, three coach’s passes for schools with an individual qualifier **and** a team, and four coach’s passes for schools that qualify two teams.
- C. **Bus Drivers:** The OSAA does not provide tickets for bus drivers.

2. **COACHES PACKET – PICK UP:**

Friday, November 2 – 3pm to 6pm – Lane Community College – Classroom #240.

Saturday, November 3 – 8am to 2pm – Gate 2 (East Gate).

Coaches Packet contains: School participant lists, individual participant numbers, timing chips, coaches passes, chute assignments, OSAA participation certificates with stickers, participant gifts, and one program per school. Additional programs can be purchased for \$5 at the souvenir merchandise booth.

3. **PARTICIPANTS' NUMBERS:** *Coaches – Please review the following instructions with your coaching staff and athletes prior to the race.* Participants' numbers include a timing sensor this year. Participant numbers must be worn on the front of the jersey and no athlete will be allowed to compete without his or her assigned number. Participant numbers are to remain as issued and **ARE NOT TO BE EXCHANGED, BENT, OR ALTERED IN ANY WAY.**
4. **WALKING THE COURSE:** Coaches and runners wishing to walk the course Saturday must be off the course by 9:45am. The course will be open from 12:50pm – 1:40pm prior to the afternoon races. Coaches are restricted to spectator viewing areas at all times unless the course is open.
5. **ALL ENTRY CHANGES:** All entry changes shall be cleared with meet management at the tent near the finish line at least 30 minutes prior to the start of each race. Only coaches with the proper credentials will be allowed in to the start line area.
6. **WARM-UPS:** A coach with the correct credential should report with each team at the start of each race to carry warm-up uniforms to the finish line.
7. **DRESSING FACILITIES:** Dressing room and shower facilities will be available in the Athletic Department locker rooms. Contestants must provide their own towels and locks.
8. **SPIKES:** Either spike or cross country shoes may be used. Spikes may not exceed 3/8" in length.
9. **VICTORY LAPS:** There are to be no victory laps until the final race of the day is finished.
10. **RACE AND AWARDS SCHEDULE:** *(Excerpt from OSAA 2018 Cross Country Plan)*

10am..... 3A/2A/1A Girls	12:50pm – 1:40pm..... BREAK
10:35am 2A/1A Boys	1:45pm 5A Girls
11:10am 3A Boys	2:20pm 5A Boys
Presentation of 3A, 2A/1A & 3A/2A/1A Awards	Presentation of 5A Awards
11:45am 4A Girls	2:55pm 6A Girls
12:20pm 4A Boys	3:30pm 6A Boys
Presentation of 4A Awards	Presentation of 6A Awards

Note: Individual medals will be presented to the top ten finishers at the conclusion of each race.

11. **ATHLETIC TRAINER:** An athletic trainer will be available one hour prior to the first race.
12. **AWARDS:** Team trophies will be presented according to the race schedule listed above. Individual medals will be presented to the top ten finishers immediately following each race.
 - A. **Trophies** – Champion through fourth place trophies will be presented to the top teams in each race.
 - B. **Medals** – Individual medals will be presented to the top 10 finishers of each race. Nine medals will be presented to both the champion and second place teams in each race.
 - C. **Moda Health Athlete of the Meet** – The top finisher in each race will be recognized as that race's Moda Health Athlete of the Meet. The winner will be announced over the PA and will receive a certificate and commemorative gift from Moda Health the week following the championships. The certificate and gift will be mailed to the student's athletic director.
13. **STATE CHAMPIONSHIP RESULTS:** <http://www.osaa.org/activities>

Complete team and individual results will be posted immediately following each race on November 3. Please instruct your fans and local media to go there for results.

SOUVENIR INFORMATION

Additional souvenir information available on the OSAA website, <http://www.osaa.org/shop>

1. **SPORTS U MERCHANDISE:** <http://www.osaastore.com>
 - A. **Finals Site:** Sports U will be onsite with a wide variety of Cross Country State Championship souvenir merchandise. Stop by the merchandise booth on the berm to purchase t-shirts, sweatshirts, sweatpants, letterman patches, hats and much more. Items not sold at the event will be available for purchase online after the state championships while supplies last.
 - B. **Official Letterman Patches:** Get your official OSAA Cross Country State Championship letterman patch onsite or by ordering online. Forget to get one last year? You can order an official letterman patch for any year in any OSAA activity by ordering online.

C. **Sports U Contact Information:** Sports U is the official merchandise vendor of the OSAA. For more information, contact Sports U at 503.227.2051 or via email at erics@sportsu-store.com.

2. **NORTHWEST SPORTS PHOTOGRAPHY (NSP):** <http://4nsp.com/PhotosAction.aspx>

A. **Action and Awards Photos:** NSP will shoot action photos during all games. Awards photos will be taken during each trophy presentation on Saturday. All action and award photos will be available online for purchase by Monday evening following the event.

B. **Team Photos:** NSP will have a photographer available to shoot team photos on Saturday. All team photos will be available online for purchase by Monday evening following the event.

C. **NSP Contact Information:** NSP is the official photographer of the OSAA. For more information, contact NSP at 800.446.5758 or via email at customerservice@4nsp.com.

3. **OSAA DIGITAL CHAMPIONSHIP PROGRAMS:** <http://www.osaa.org/programs>



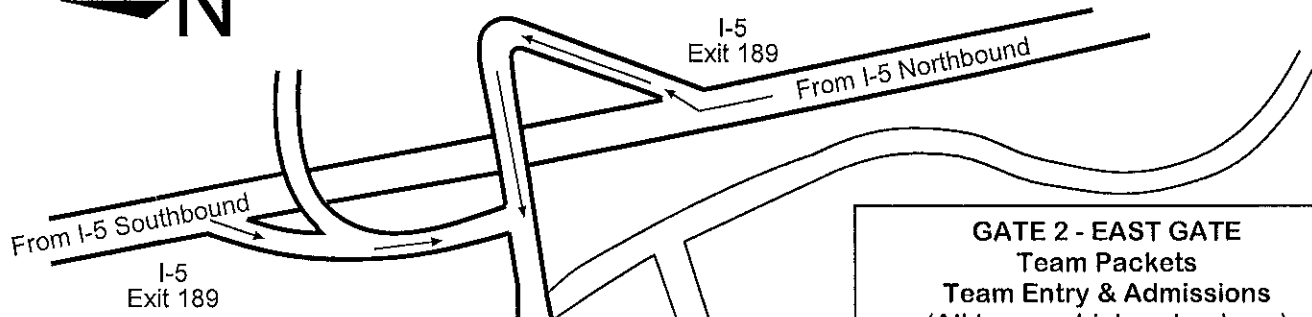
The Official Cross Country State Championship program will be available Wednesday, October 31. The program includes a listing of participants by race (including bib numbers), a course map, historical state championship records and a color map of all OSAA member schools.

Programs available on the OSAA Live mobile app and online. Download the OSAA Live mobile app from the App Store or Google Play by searching for "OSAA Live".

4. **MINI REPLICA TROPHIES:** <http://www.osaa.org/shop#trophies>

A. **Mini Replica Trophies:** The OSAA is proud to be able to offer mini replicas of the trophies presented at the OSAA State Championships. Mini replica trophies are 8" tall x 10" wide x 5" deep and make a great gift for coaches, students, parents, etc. Mini replicas can be produced for teams and individuals for any year in any OSAA activity. Each mini replica trophy is \$65 and that includes a personalized nameplate, shipping & handling. Order mini replica trophies online.

B. **Crown Trophy Contact Information:** Crown Trophy manages the mini replica trophy program. For more information, contact Crown Trophy at 503.626.1125 or via email at awardpro@crowntrophy41.com.



OSAA / OnPoint Community Credit Union
 Cross Country State Championships
 November 3, 2018
 Lane Community College
 4000 E 30th Avenue, Eugene, OR 97405

Directions

Northbound (from the south) on Interstate 5

Take Exit 189, and at the stop sign, turn left and continue west to the first intersection.

Go straight through the intersection and continue along 30th Avenue.

Turn left on Eldon Schafer Drive to access the east parking lots, or stay on 30th and take the first exit to the right after the intersection to access the west parking lots.

Southbound (from the north) on Interstate 5

Take Exit 189 and continue to traffic light.

Turn right at the traffic light and go straight until the next intersection.

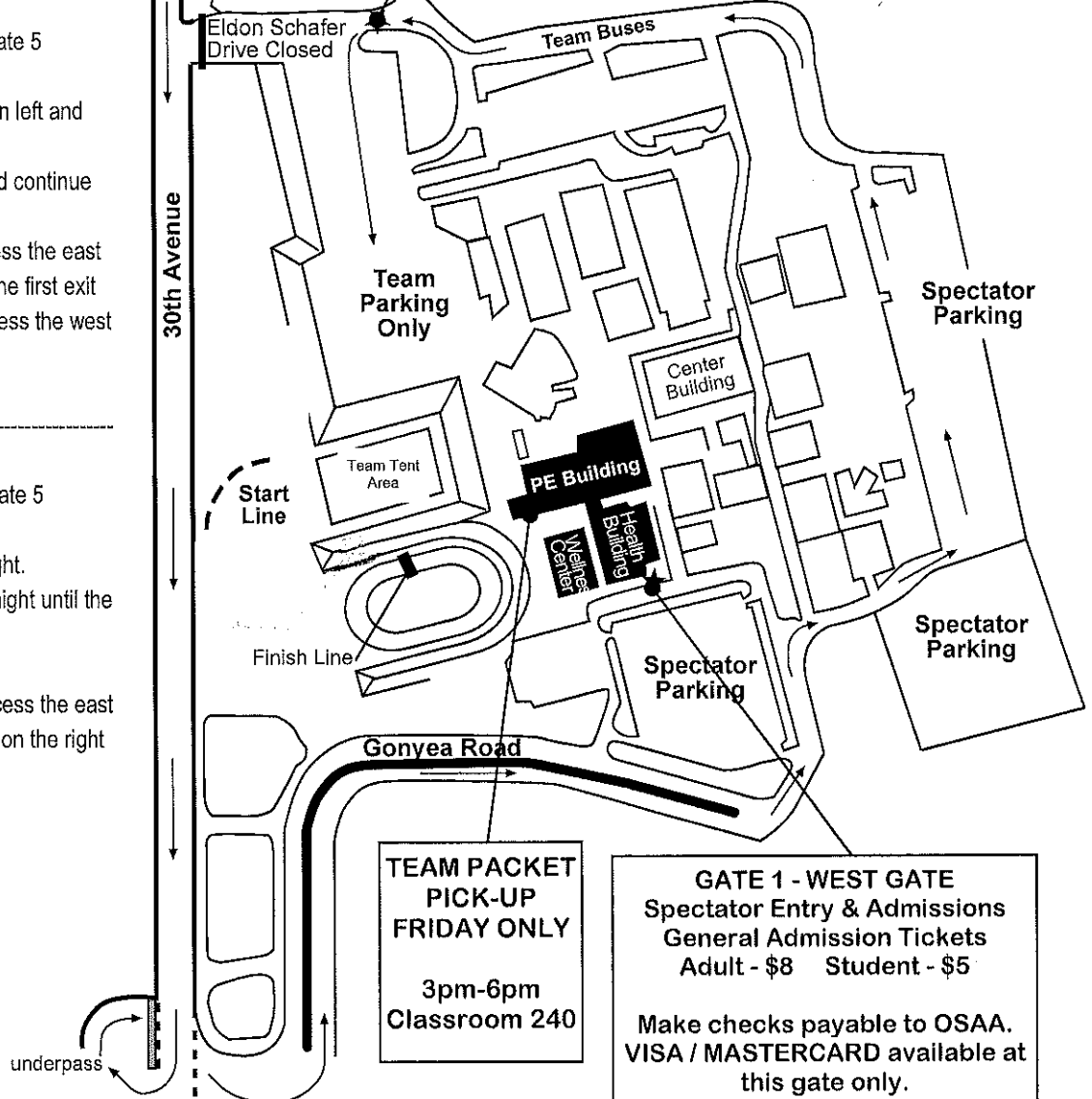
Turn right at the intersection.

Turn left on Eldon Schafer Drive to access the east parking lots or continue to the first exit on the right to access the west parking lots.

GATE 2 - EAST GATE
 Team Packets
 Team Entry & Admissions
 (All team vehicles stop here)

General Admission Tickets
CASH ONLY
 Adult - \$8 Student - \$5

Team Packet Pick-Up
 Saturday 8am - 3pm

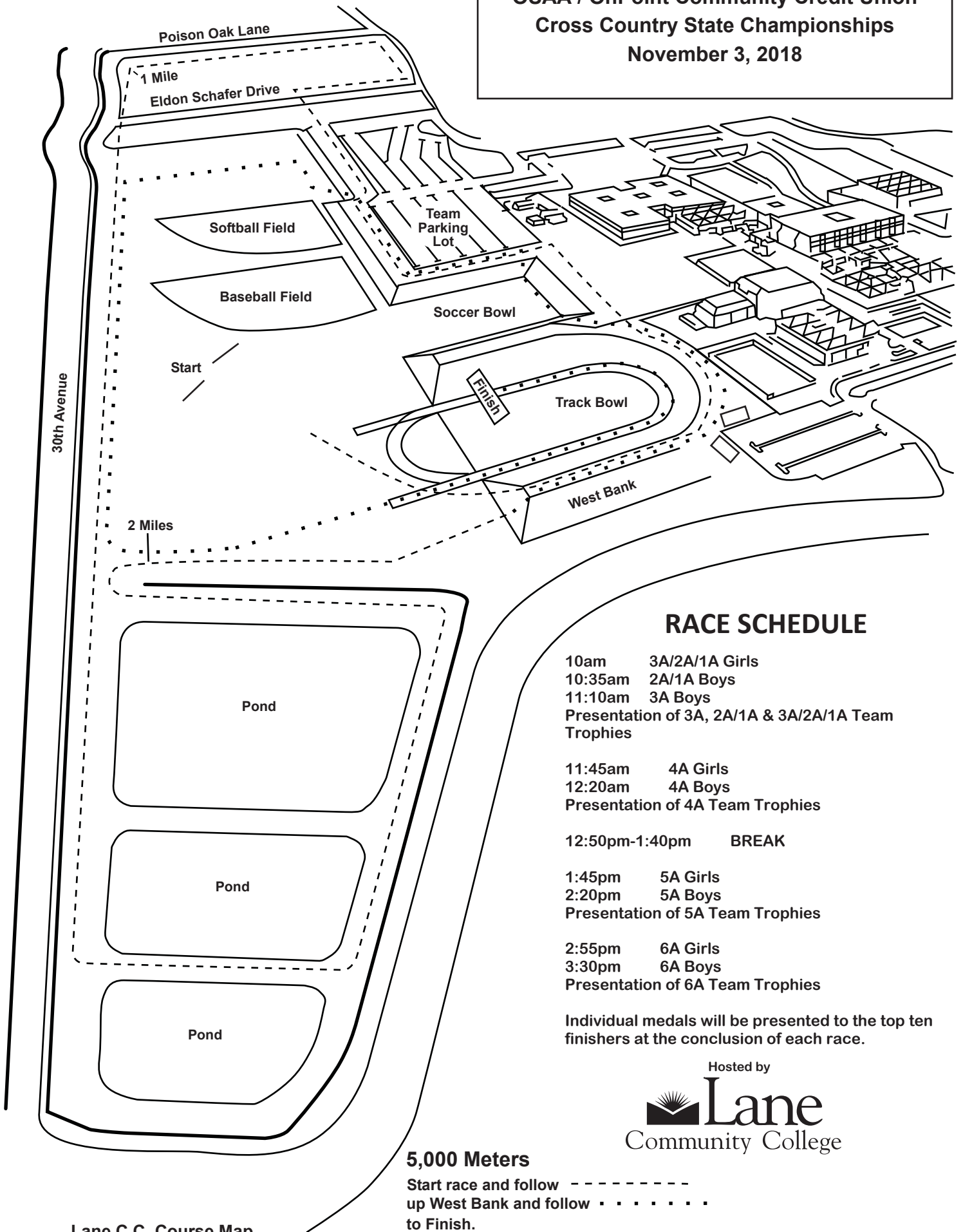


TEAM PACKET PICK-UP FRIDAY ONLY
 3pm-6pm
 Classroom 240

GATE 1 - WEST GATE
 Spectator Entry & Admissions
 General Admission Tickets
 Adult - \$8 Student - \$5

Make checks payable to OSAA.
 VISA / MASTERCARD available at this gate only.
 Will Call window located at this gate only.

**OSAA / OnPoint Community Credit Union
Cross Country State Championships
November 3, 2018**



RACE SCHEDULE

- 10am 3A/2A/1A Girls
- 10:35am 2A/1A Boys
- 11:10am 3A Boys
- Presentation of 3A, 2A/1A & 3A/2A/1A Team Trophies

- 11:45am 4A Girls
- 12:20am 4A Boys
- Presentation of 4A Team Trophies

- 12:50pm-1:40pm BREAK

- 1:45pm 5A Girls
- 2:20pm 5A Boys
- Presentation of 5A Team Trophies

- 2:55pm 6A Girls
- 3:30pm 6A Boys
- Presentation of 6A Team Trophies

Individual medals will be presented to the top ten finishers at the conclusion of each race.



5,000 Meters

Start race and follow -----
up West Bank and follow
to Finish.